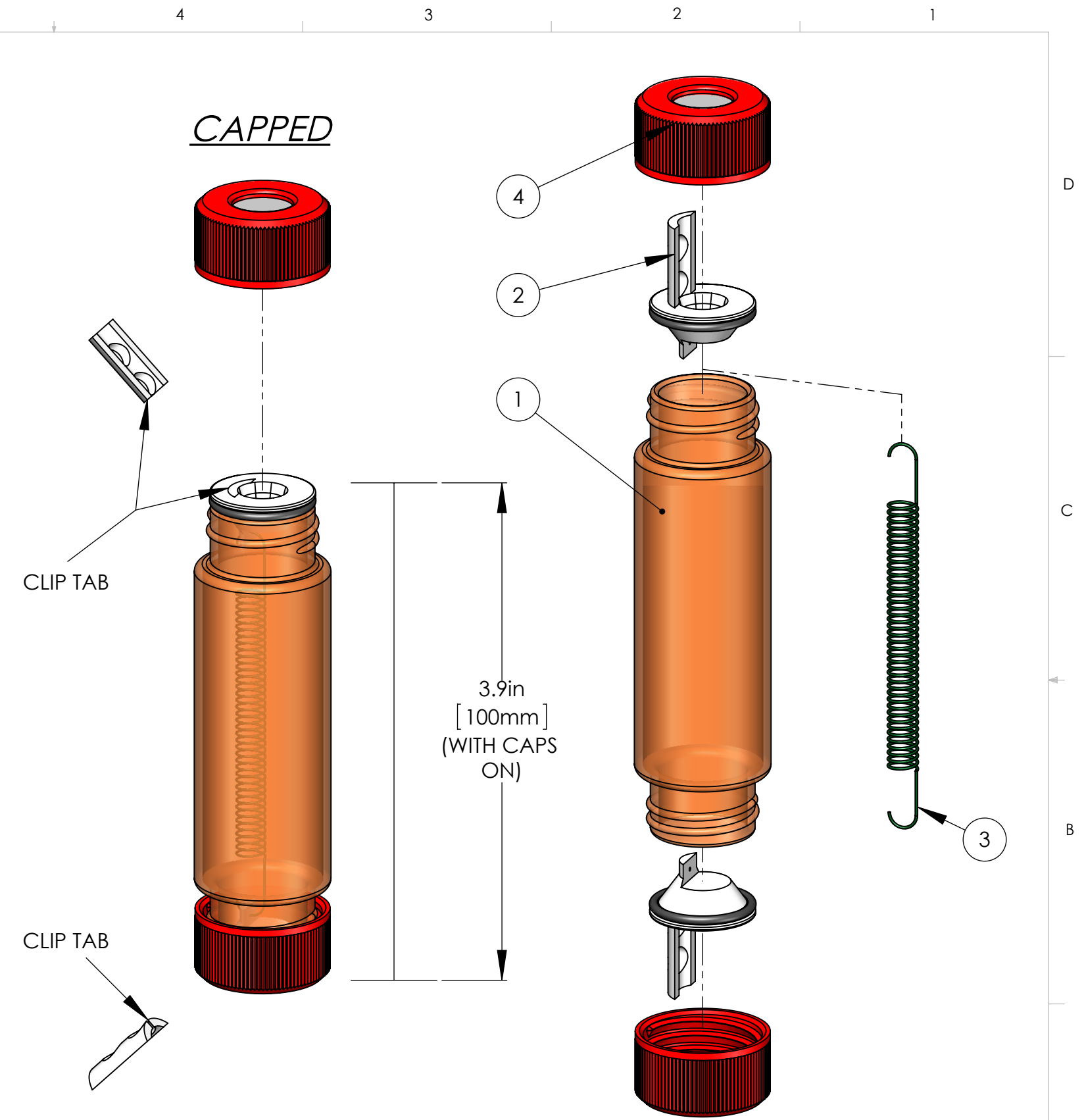
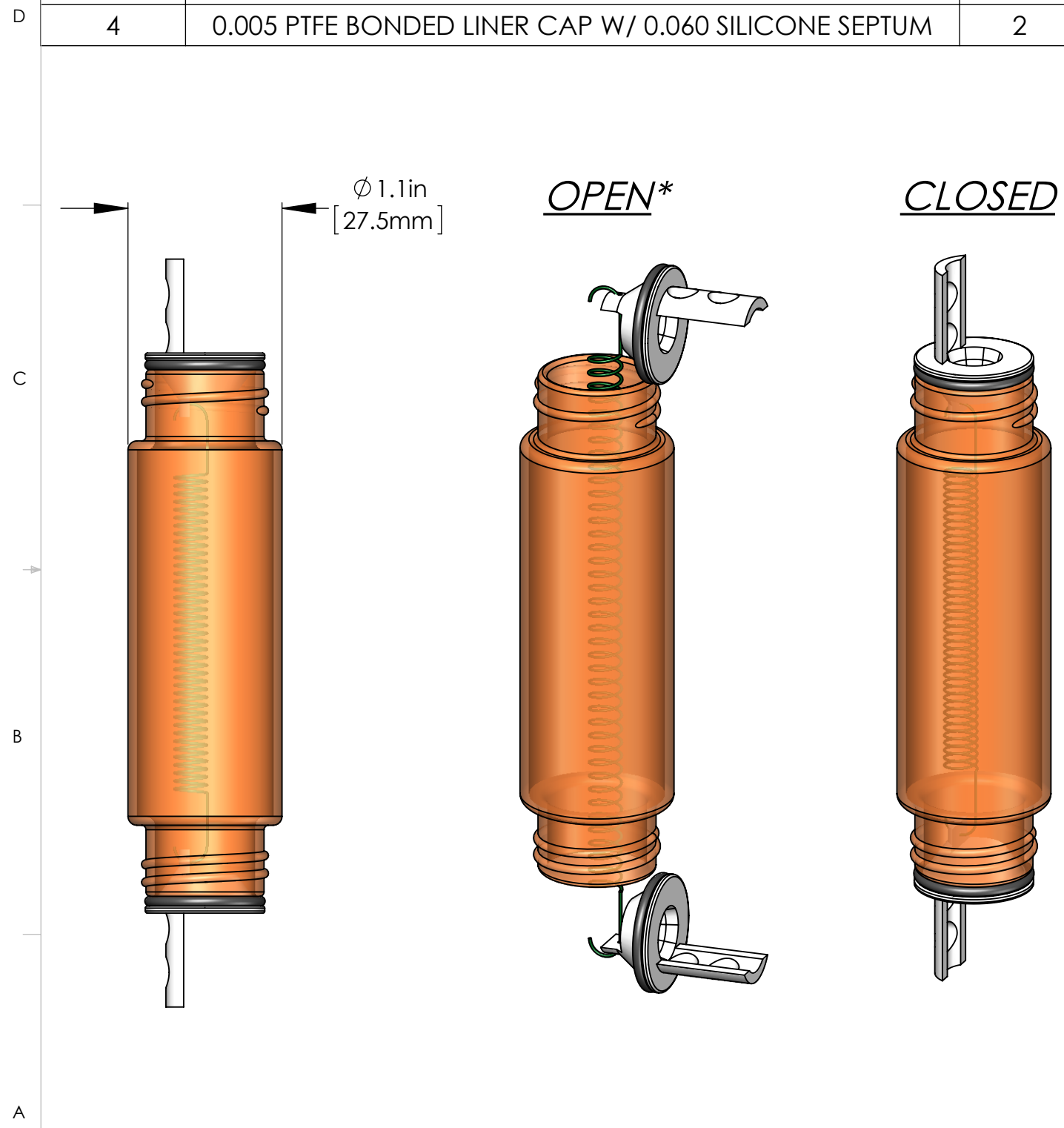


ITEM NO.	DESCRIPTION	QTY.
1	40mL BOTTLE, CLEAR OR AMBER (SHOWN)	1
2	"SNAP" CAP W/ O-RING	2
3	40mL SAMPLER EXT. SPRING (S.S WITH PFA "TEFLON" COATING)	1
4	0.005 PTFE BONDED LINER CAP W/ 0.060 SILICONE SEPTUM	2



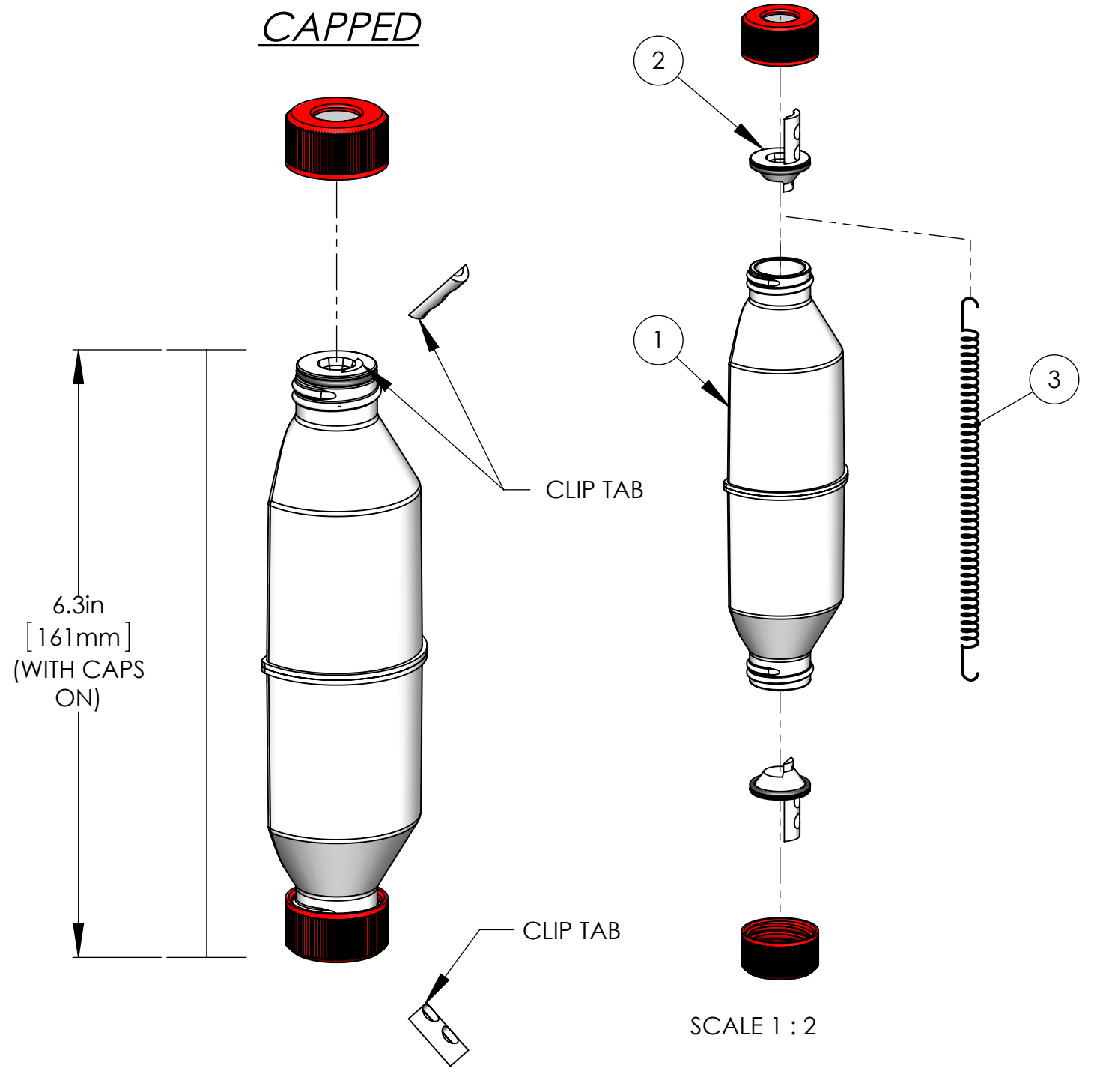
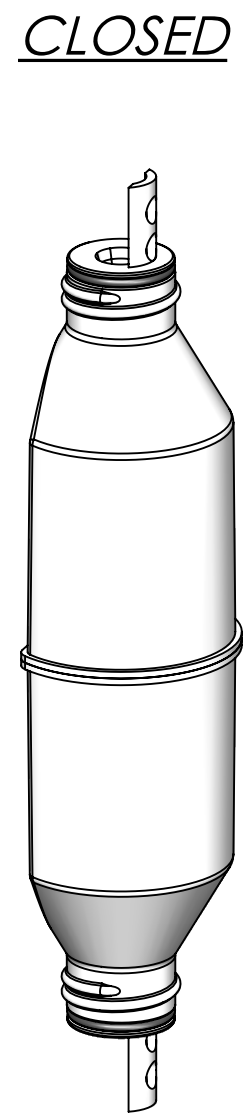
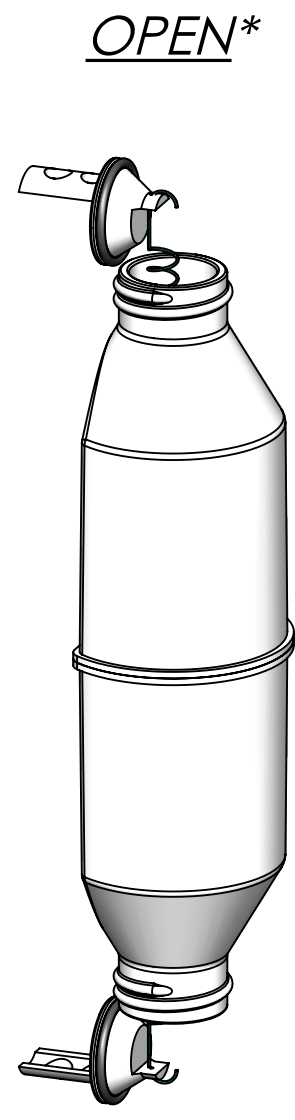
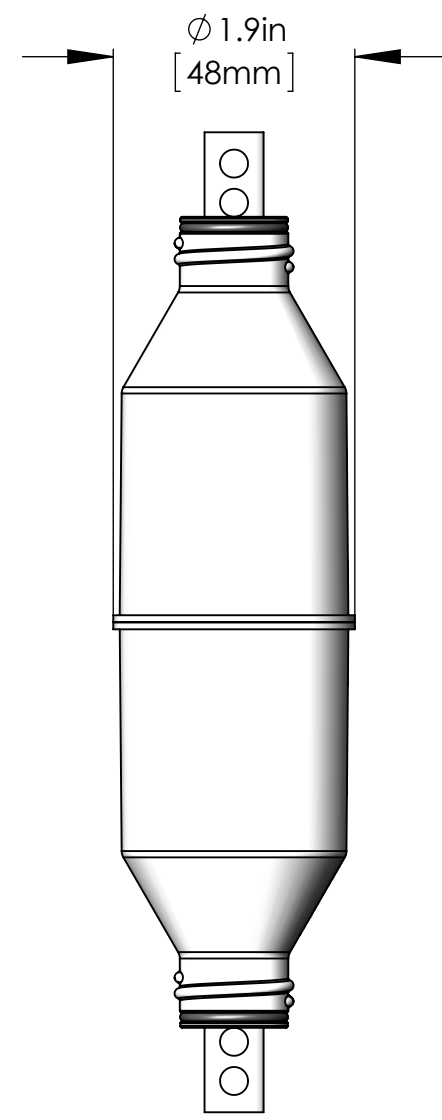
*SHOWN WITHOUT SNAP SAMPLER MECHANISM. BLUE "RELEASE PIN" PARTS HOLD "SNAP CAPS" IN THIS POSITION. SEE SNAP SAMPLER DRAWINGS.

PROPRIETARY AND CONFIDENTIAL
 THE INFORMATION CONTAINED IN THIS DRAWING IS THE SOLE PROPERTY OF PROHYDRO, INC. ANY REPRODUCTION IN PART OR AS A WHOLE WITHOUT THE WRITTEN PERMISSION OF PROHYDRO INC. IS PROHIBITED.

UNLESS OTHERWISE SPECIFIED: DIMENSIONS ARE IN IN TOLERANCES: FRACTIONAL: ± 1/16 ANGULAR: 1° TWO PLACE DECIMAL ± 0.10 THREE PLACE DECIMAL ± 0.005 INTERPRET GEOMETRIC TOLERANCING PER: ASME Y14.5-2009		DRAWN	NAME	DATE	ProHydro, Inc. <small>MADE IN THE USA 585-385-0023 www.prohydro.com</small> TITLE: 40mL SAMPLER BOTTLE SIZE PART NO. REV B SCALE: 1:1 WEIGHT: SHEET 1 OF 3
MATERIAL	CHECKED	MAB	01/02/13		
FINISH	ENG APPR.				
DO NOT SCALE DRAWING	MFG APPR.				
	Q.A. COMMENTS:				

ITEM NO.	DESCRIPTION	QTY.
1	125mL BOTTLE (PLASTIC)	1
2	"SNAP" CAP W/ O-RING	2
3	125mL SAMPLER EXT. SPRING (S.S. WITH PFA "TEFLON" COATING)	1
4	0.005 PTFE BONDED LINER CAP W/ 0.060 SILICONE SEPTUM	2

D
C
B
A



D
C
B
A

*SHOWN WITHOUT SNAP SAMPLER MECHANISM. BLUE "RELEASE PIN" PARTS HOLD "SNAP CAPS" IN THIS POSITION. SEE SNAP SAMPLER DRAWINGS.

PROPRIETARY AND CONFIDENTIAL
THE INFORMATION CONTAINED IN THIS DRAWING IS THE SOLE PROPERTY OF PROHYDRO, INC. ANY REPRODUCTION IN PART OR AS A WHOLE WITHOUT THE WRITTEN PERMISSION OF PROHYDRO INC. IS PROHIBITED.

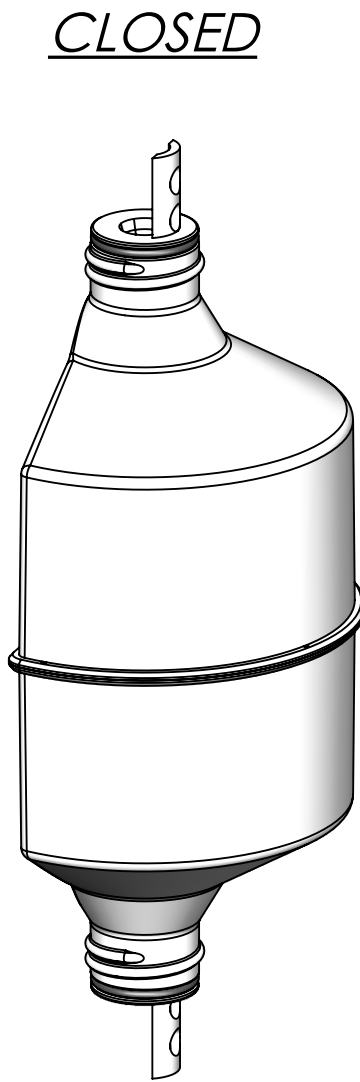
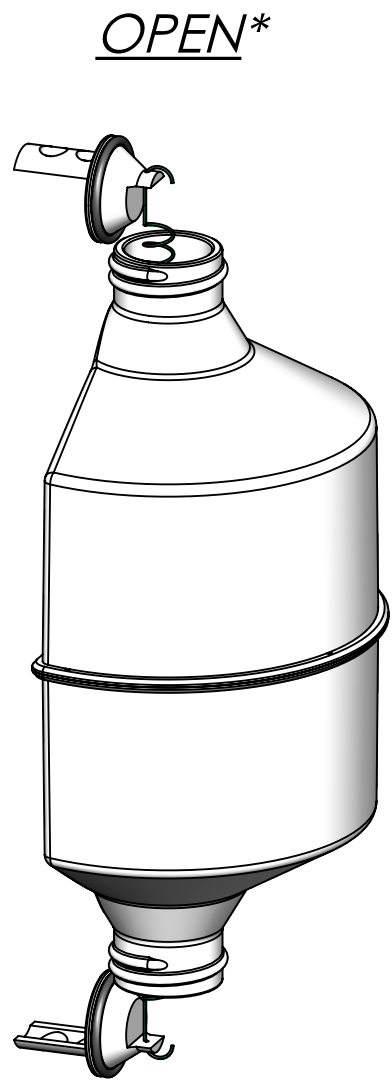
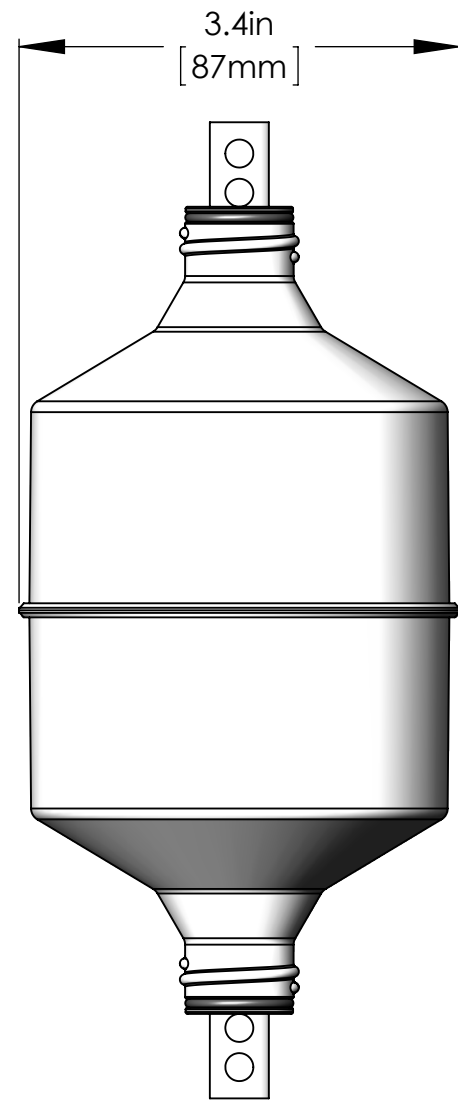
UNLESS OTHERWISE SPECIFIED:
DIMENSIONS ARE IN IN
TOLERANCES:
FRACTIONAL: ± 1/16
ANGULAR: 1°
TWO PLACE DECIMAL ± 0.10
THREE PLACE DECIMAL ± 0.005
INTERPRET GEOMETRIC TOLERANCING PER:
ASME Y14.5-2009
MATERIAL
FINISH
DO NOT SCALE DRAWING

DRAWN	NAME	DATE
CHECKED	MAB	01/02/13
ENG APPR.		
MFG APPR.		
Q.A.		
COMMENTS:	1in [25.4mm]	

ProHydro, Inc.		
<small>MADE IN THE USA 585-385-0023 www.prohydro.com</small>		
TITLE: 125mL SNAP SAMPLER		
SIZE	PART NO.	REV
B		
SCALE: 2:3	WEIGHT:	SHEET 2 OF 3

8 7 6 5 4 3 2 1

ITEM NO.	DESCRIPTION	QTY.
1	350mL BOTTLE (PLASTIC)	1
2	"SNAP" CAP W/ O-RING	2
3	350mL SAMPLER EXT. SPRING (S.S. WITH PFA "TEFLON" COATING)	1
4	0.005 PTFE BONDED LINER CAP W/ 0.060 SILICONE SEPTUM	2



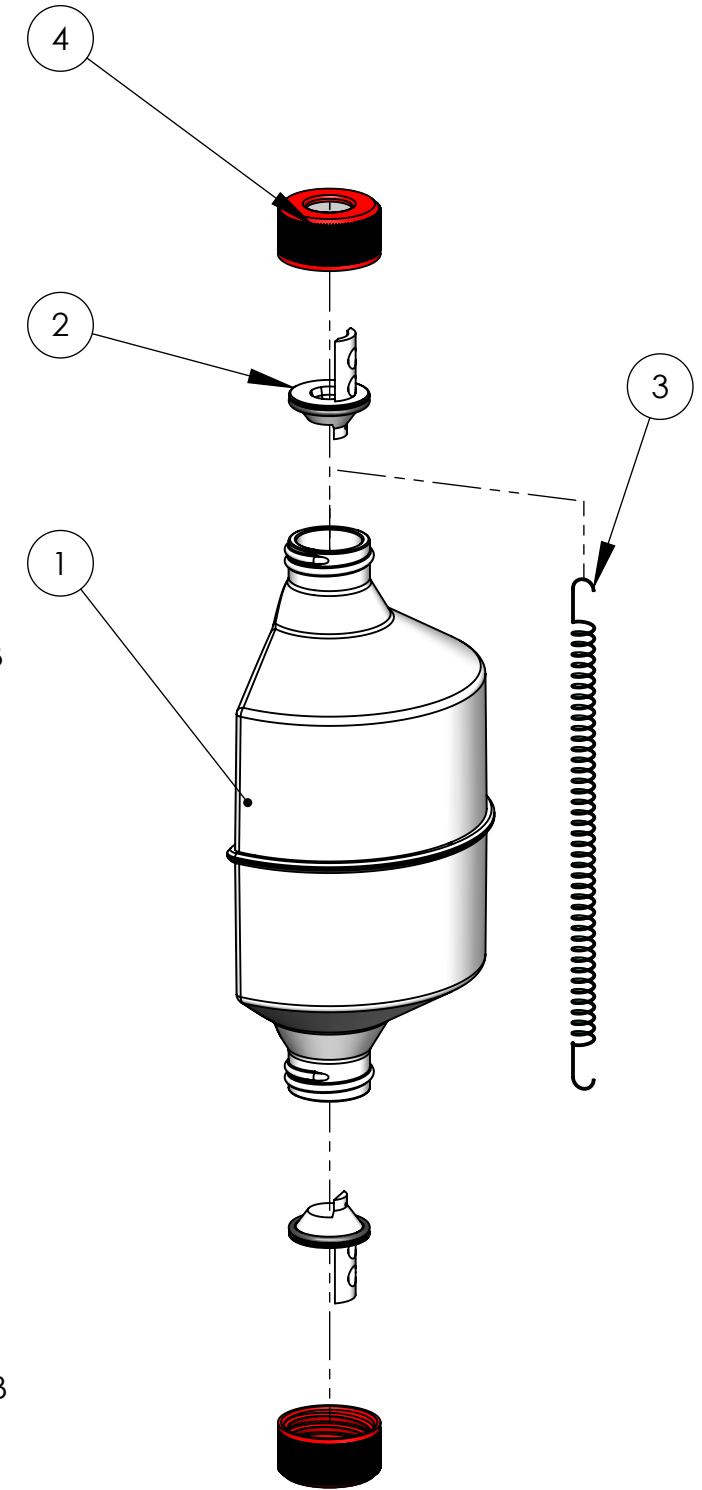
6.3in
[161mm]
(WITH CAPS ON)

CAPPED



CLIP TAB

CLIP TAB



*SHOWN WITHOUT SNAP SAMPLER MECHANISM.
BLUE "RELEASE PIN" PARTS HOLD "SNAP CAPS" IN THIS POSITION. SEE SNAP SAMPLER DRAWINGS.

PROPRIETARY AND CONFIDENTIAL
THE INFORMATION CONTAINED IN THIS DRAWING IS THE SOLE PROPERTY OF PROHYDRO, INC. ANY REPRODUCTION IN PART OR AS A WHOLE WITHOUT THE WRITTEN PERMISSION OF PROHYDRO INC. IS PROHIBITED.

UNLESS OTHERWISE SPECIFIED:
DIMENSIONS ARE IN INCHES
TOLERANCES:
FRACTIONAL: 1/16
ANGULAR: 1°
TWO PLACE DECIMAL ± 0.01
THREE PLACE DECIMAL ± 0.005
INTERPRET GEOMETRIC TOLERANCING PER:
ASME Y14.5-2009
MATERIAL
FINISH
DO NOT SCALE DRAWING

DRAWN	NAME	DATE
MAB	MAB	01/02/13
CHECKED		
ENG APPR.		
MFG APPR.		
Q.A.		
COMMENTS:	1in [25.4mm]	

ProHydro, Inc.		
MADE IN THE USA 585-385-0023 www.prohydro.com		
TITLE:		
350mL SNAP SAMPLER		
SIZE	PART NO.	REV
B		
SCALE:	WEIGHT:	SHEET
2:3		3 OF 3